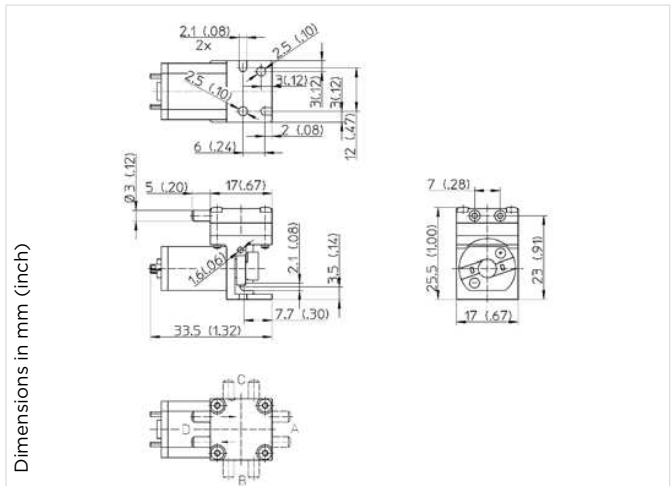


Diaphragm Pump 2002 VD LC

Flow	500 ml/min
Max. pressure	400 mbar
Max. vacuum	40 %



PNEUMATIC DATA

Description	2002VD/0.5/E/LC	
Part number	3.5 V	20020215 (3.5 to 5 V)
Max. flow	500 ml/min	
Max. intermittent duty	380 to 400 mbar	
Max. continuous pressure	150 mbar	
Max. restart pressure	150 mbar	
Max. vacuum	36 to 40 %	
Max. restart vacuum	15 %	

ELECTRICAL DATA

Motor type	Permanent magnet
Power consumption	3.5 to 5 V/305 to 460 mW
Protection class	IP00
Bearing type	Sleeve bearing

GENERAL DATA

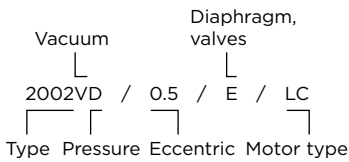
Ambient temperature	10 to 50 °C
Media temperature	10 to 50 °C
Weight	17 g
Port direction	D

WETTED PARTS

Pump head	PF	
Diaphragm, valves	EPDM	FKM, Silicone

Model key:

2002... Stock programme



FLOW CURVES

