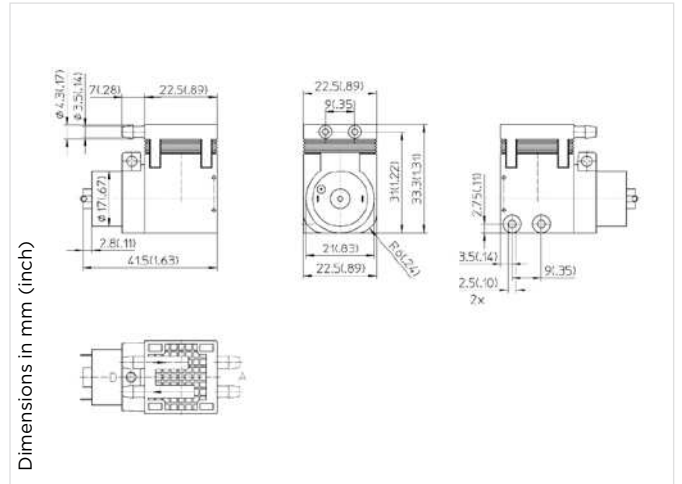


Diaphragm Pump 3013 VD LC

| | |
|---------------|-----------|
| Flow | 1.3 l/min |
| Max. pressure | 600 mbar |
| Max. vacuum | 45 % |



PNEUMATIC DATA

| Description | 3013VD/0.8/E/LC | 3013VD/0.7/E/LC | 3013VD/0.7/E/LC |
|--------------------------|---|-----------------|-----------------|
| Part number | 3.0 V 4.5 V 12.0 V 30130039 | 30130002 | 30130003 |
| Max. flow | 0.9 l/min | 0.9 l/min | 1.3 l/min |
| Max. intermittent duty | 600 mbar | 450 mbar | 450 mbar |
| Max. continuous pressure | 200 mbar | 200 mbar | 200 mbar |
| Max. restart pressure | 200 mbar | 200 mbar | 200 mbar |
| Max. vacuum | 45 % | 40 % | 40 % |
| Max. restart vacuum | 20 % | 20 % | 20 % |

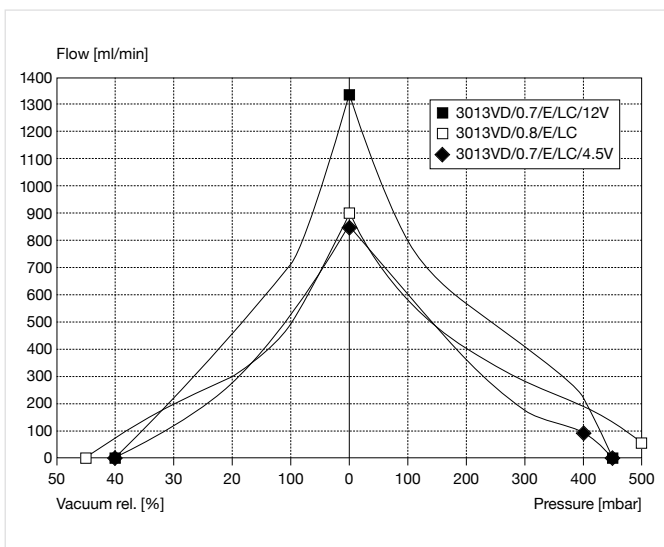
ELECTRICAL DATA

| Motor type | Permanent magnet | Permanent magnet | Permanent magnet |
|-------------------|------------------|------------------|------------------|
| Power consumption | 540 mW | 540 mW | 720mW |
| Protection class | IPO0 | IPO0 | IPO0 |
| Bearing type | Sleeve bearing | Sleeve bearing | Sleeve bearing |

GENERAL DATA

| Ambient temperature | 10 to 40 °C | 10 to 40 °C | 10 to 40 °C |
|---------------------|-------------|-------------|-------------|
| Media temperature | 10 to 40 °C | 10 to 40 °C | 10 to 40 °C |
| Weight | 32 g | 32 g | 32 g |
| Port direction | D | D | D |

FLOW CURVES



WETTED PARTS

| Pump head | PC | PPS |
|--------------|------|-----|
| Diaphragm | EPDM | FKM |
| Valve/gasket | EPDM | FKM |

OPTIONS

OPTION 3013... Stock programme

- Motor BLDC motor
- Bearing type Ball bearing

Model key:

